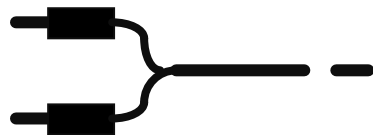


**YOUR CD PLAYER
OR AMPLIFIER**

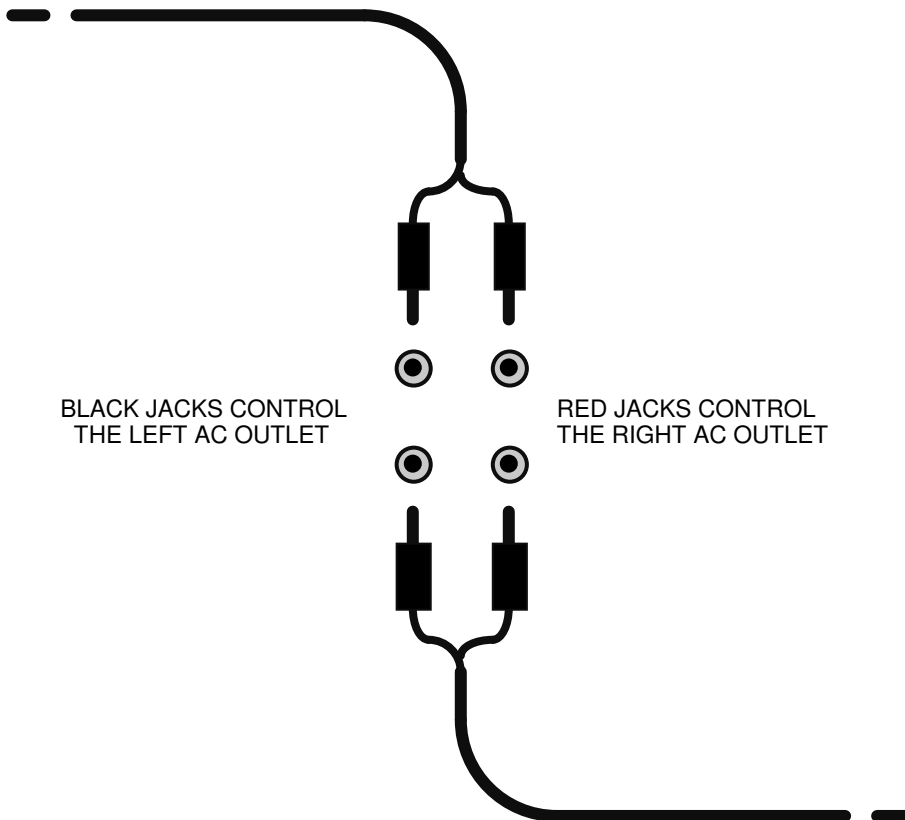


**THESE CONNECTORS
MUST FIT YOUR CD
PLAYER OR AMPLIFIER!**



YOUR ST-2401

IT DOES NOT MATTER WHETHER THE TOP OR BOTTOM JACK
OF EACH COLORED PAIR IS USED AS AN INPUT OR AN OUTPUT



THESE ARE "PHONO" (SOMETIMES CALLED "RCA") CONNECTORS

**YOUR AMPLIFIER
OR SPEAKERS**



**THESE CONNECTORS
MUST FIT YOUR
AMPLIFIER OR SPEAKERS!**

